

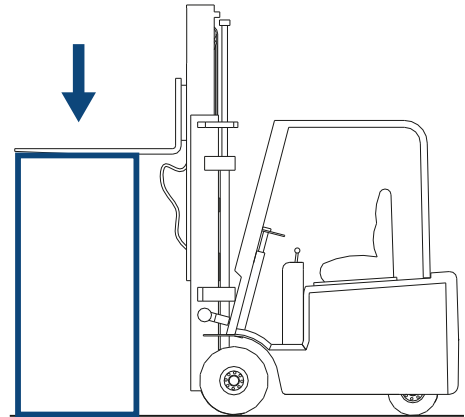
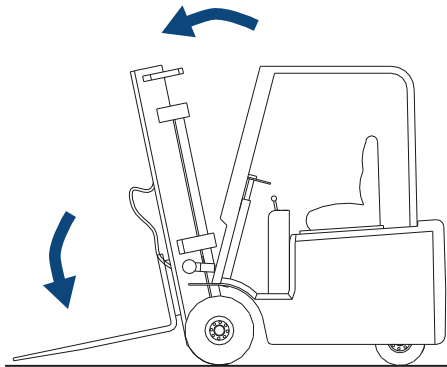
1

# REMOVE OIL PRESSURE FROM THE HYDRAULIC SYSTEM

Lower and tilt the forks forward

or

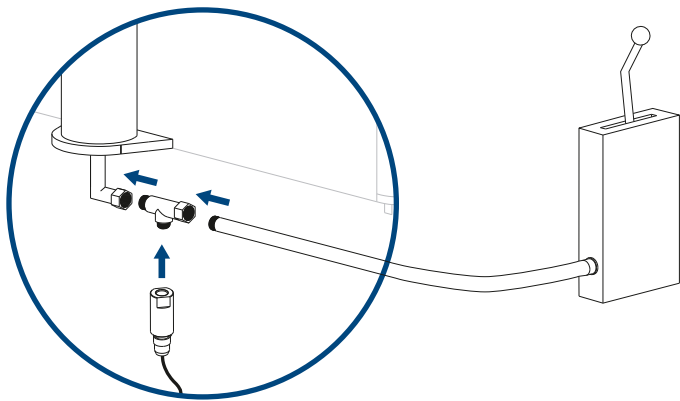
Place the forks on a stable object



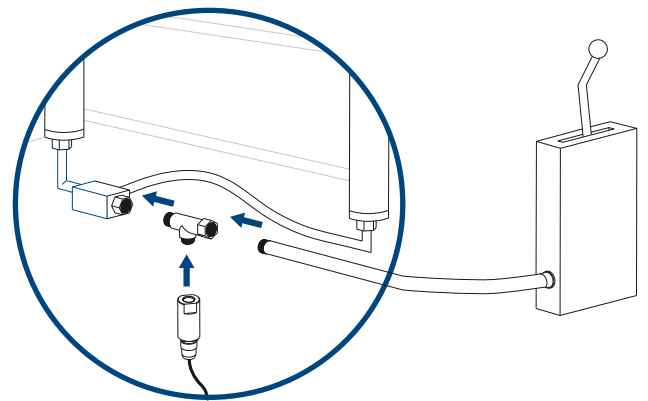
2

# INSTALL THE SENSOR

### SINGLE CYLINDER

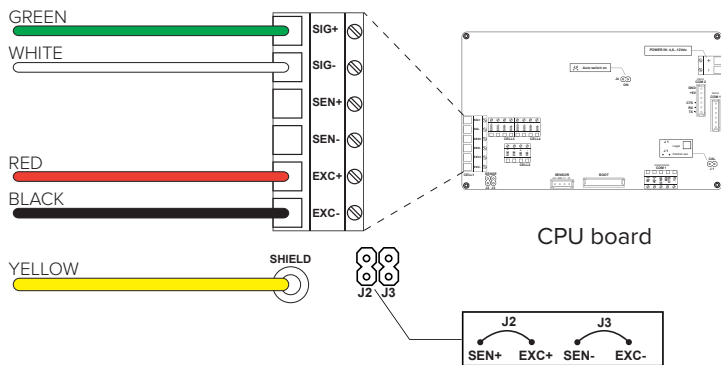


### DOUBLE CYLINDER

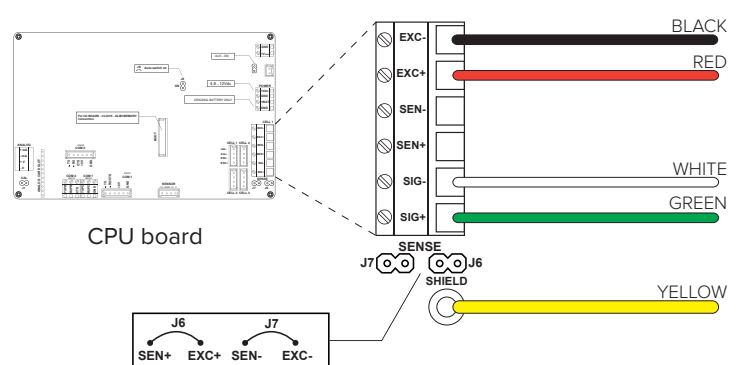


# CONNECT THE SENSOR CABLE TO THE INDICATOR

### LTP



### LTPKXP

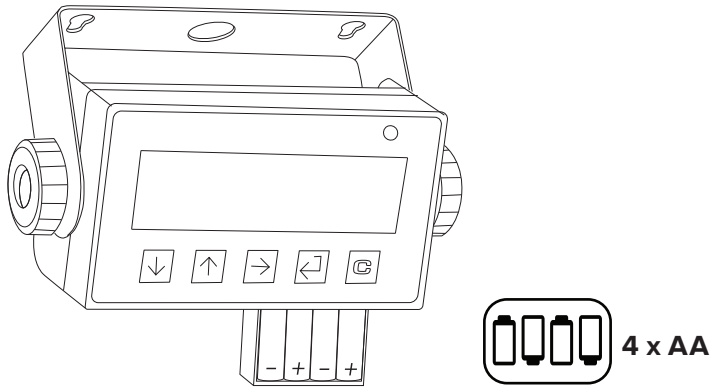


# 4

## CONNECT THE POWER SUPPLY TO THE INDICATOR

### 4.A

#### LTP with batteries

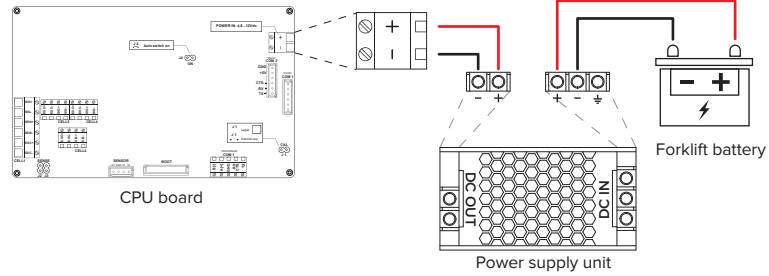
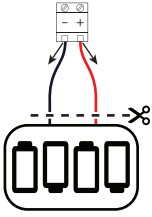


### 4.B

#### LTP with power supply unit

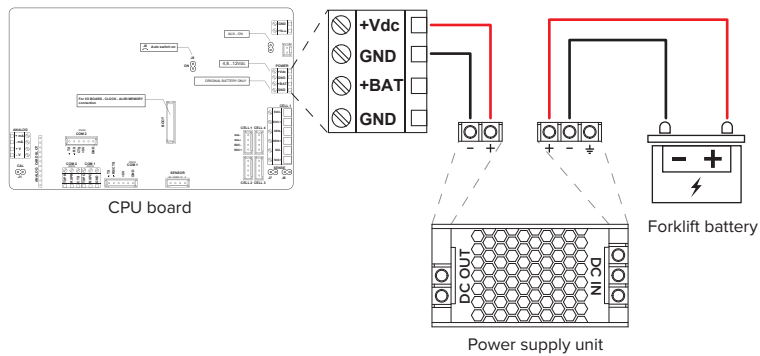


- I. Remove batteries
- II. Disconnect and cut the battery tray cables
- III. Connect the power supply unit



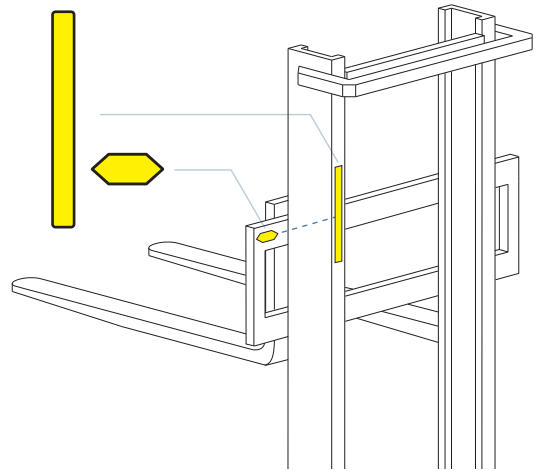
### 4.C

#### LTPKXP



# 5

## APPLY STICKERS



Stickers must be applied at least 50 cm from the floor